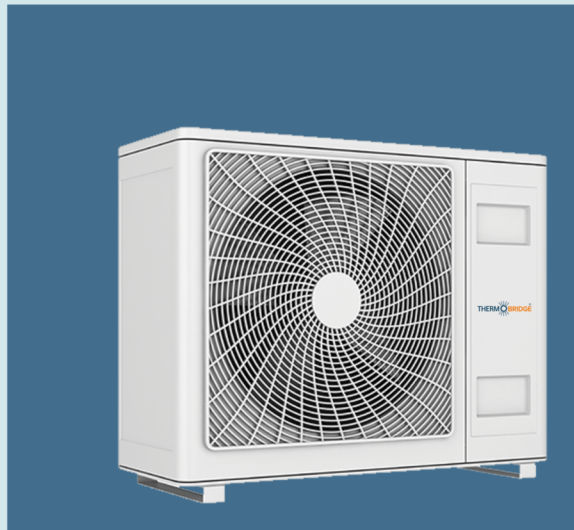


# THERMOBRIDGE®

## Energy From Nature Scale Free Heat Pump



**Innovative  
Scale Free  
Jacket  
Technology**

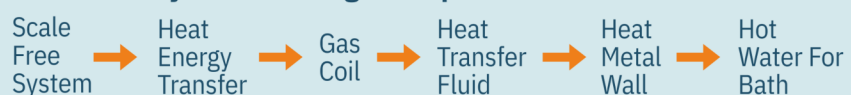
### Heat Pump Hot Water High Pressure System

- ♥ 5mm Hot Deep Galvanized Pressurized Container + Scale Free Jacket
- ♥ Scale Free High Efficiency Shell.
- ♥ Heat Transfer Copper Coil With Shell Type Heat Exchanger.
- ♥ Copeland / Panasonic High Efficiency Compressor (Rotary / Scroll).
- ♥ High Efficiency Expansion Device. ♥ Auto Defrosting.
- ♥ Split Type Hot Water System For Long Working Life.
- ♥ Hot Deep Galvanize Process Available For Container up to 1250 ltr.
- ♥ Hot Deep Galvanize Stand For Container.
- ♥ No Open Space Required. Only Ventilation Required
- ♥ Energy abstract from atmospheric air ♥ less input - Approx 4 times more output

## 24x7 HOT WATER SYSTEM

Heat Pump Water Heater for Domestic and Commercial Use

### Scale Free System Working Principles



## Scale Free Heat Pump Hot Water High Pressured System



1250 Ltr. SS 316 L, Under Roof High Pressure-Rajkot



350 Ltr. High Pressure Scale Free System



1250 Ltr. Non Pressure System-Rajkot



500 Ltr. Domestic System-Jamnagar

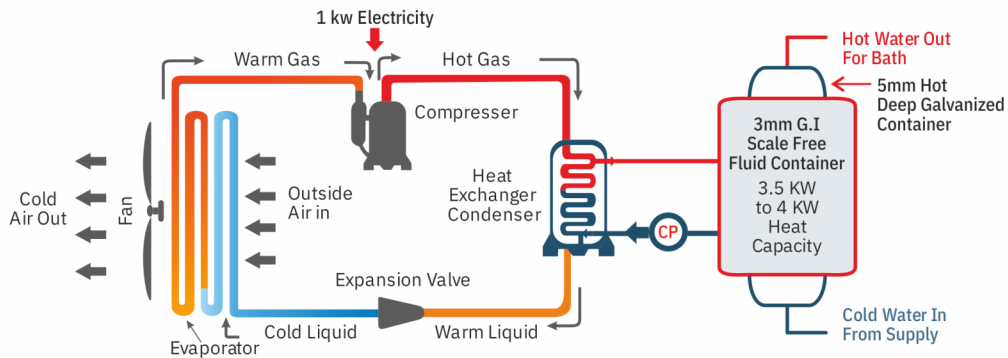


3600 Ltr. Zigzag System-Rajkot



850 Ltr. High Pressure Scale Free System

## Applicable Design & Key Features of Scale Free Heat Pump



| Heat Pump Heating Capacity        | Input KW (Approx) | Water Heating LTR/HR | Pressurised Scale Free Container (5mm Hot Deep Galvanized) with Jacket | Pressurised Scale Free Container Process | Heat Transfer Fluid in Jacket    |
|-----------------------------------|-------------------|----------------------|--|--|----------------------------------|
| 3.8 KW (Single Phase) (220V-240V) | 1 KW              | 90                   | 250 LTR<br>350 LTR<br>500 LTR  | Hot Deep Galvanized 5mm                  | Thermic Fluid with Potable Water |
| 6 KW (Single Phase) (220V-240V)   | 1.55 KW           | 130                  | 600 LTR<br>850 LTR   | Hot Deep Galvanized 5mm                  | Thermic Fluid with Potable Water |
| 7.5 KW (Single Phase) (220V-240V) | 1.9 KW            | 175                  |  |  |                                  |
| 9.8 KW (Single Phase) (220V-240V) | 2.87 KW           | 225                  | 1250 LTR   | Hot Deep Galvanized 5mm                  | Thermic Fluid with Potable Water |
| 11.5 KW (Three Phase) (386V-420V) | 3.00 KW           | 265                  | 1500 LTR   | Sendblast Epoxy Coated 5mm M.S.          | Thermic Fluid with Potable Water |
| 19.5 KW (Three Phase) (386V-420V) | 5.00 KW           | 480                  | 1750 LTR<br>2250 LTR   | Sendblast Epoxy Coated 5mm M.S.          | Thermic Fluid with Potable Water |

Flange Material in High Pressure System : 8 to 10 mm in Hot Deep Galvanize Container with SS Bolting

Stand Material : Hot Deep Galvanize Stand with S.S. Hardware

Connection : S.S. Nipple with Forging Coupling

Corrosion Proof Coating : Dura Marine Epoxy / Ceramic / Glass Type Coat Inside

More Capacity 35 kw Heat Pump & 3000 Ltr. & More Ltr. Container as per Requirement.